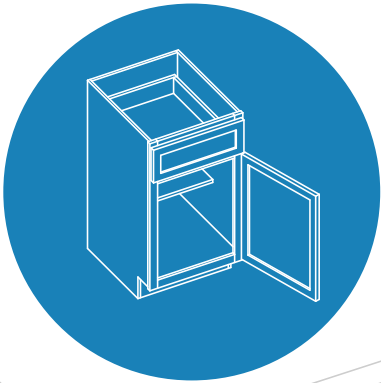


VANITY OFFERING

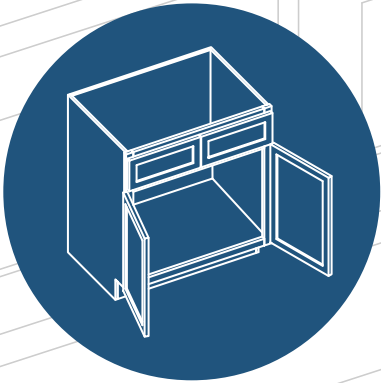
- Single & Double Sink Vanities
- 14 unique styles
- Convenient standard size options and accessories
- Various combinations
- Solid wood construction
- Premium finishes
- Short & dependable lead time
- Extensive product selections available



SINGLE DOOR VANITIES

Our single door vanities can be used for smaller spaces.

- VB12
- VB15
- VB18
- V21



DOUBLE DOOR VANITIES

Our double door vanities can be used on their own for smaller spaces or combined for larger spaces.

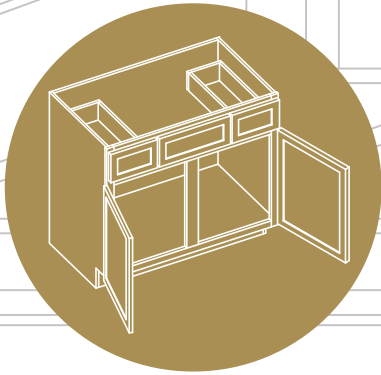
- V24-2
- V27
- V30
- V33
- V36
- V39
- V42



VANITY DRAWER BASES

This three drawer cabinet is ideal for maximum storage space.

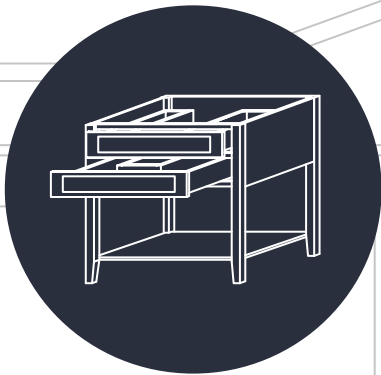
- VDB12
- VDB15
- VDB18
- VDB21
- VDB24



VANITY SINK BASES

These single-sink cabinets offer drawers and cabinet storage. Can be used alone or accompanied with another vanity sink to accommodate a double sink combo.

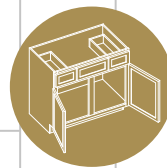
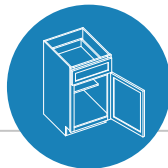
- VSB36
- VSB42
- VSB48
- VSBD30
- VSBDL30
- VSBD36
- VSBDL36



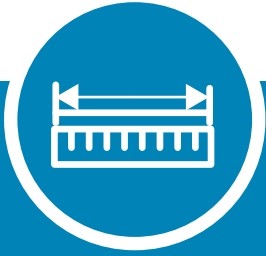
OPEN SHELF VANITY SINK BASE

Our open shelf vanity is available in a 36" width & includes adjustable metal feet. Both drawers feature a U-shape to accommodate plumbing.

- VSBOS36



PERSONALIZING YOUR SPACE



STEP 1 MEASURING YOUR SPACE

Measure the width, depth, and height of the area where you want the vanity to go. Consider any door swings, drawers, or nearby fixtures that might impact the available space.

Take note of plumbing and electrical placements to ensure they align with the vanity design.



STEP 2 STYLE & DESIGN

Choose a style that complements the overall bathroom aesthetic. Consider whether you need a single or double sink. Double sinks are ideal for shared bathrooms and add convenience for multiple users, but they require more space. Single sinks work well in smaller bathrooms.



STEP 3 FINISHING DETAILS

To complete the look, select hardware such as knobs and pulls to add character to your vanity. For an elevated design, consider incorporating features like knee drawers, turned posts, or bun feet.

When choosing these elements, keep your bathroom's overall style in mind. Select colors, materials, and finishes that coordinate seamlessly with other design elements, creating a cohesive and polished aesthetic.



Remember to add the finishing touches with accessories and hardware!

COMMON LAYOUTS

Here are the most common vanity sizes.
Use this guide to help select and build the perfect configuration.

| 30" or Less | 36" | 42" | 48" | 54" | 60" | 72" | 96" |
|----------------|---------------|---------------|---------------|------------------|---------------------|---------------------|------------------------|
| V30 | V36 | VSB42 | (2) V24-2 | V30 + (2)VDB12 | (2) V30 | (2) V36 | (2) VSB48 |
| V27 | VSB36 | V24-2 + VDB18 | VSB48 | (2) V27 | (2)V24-2 + (1)VDB12 | (2) VSB36 | (2)V36 + (1)VDB24 |
| V24-2 | V24-2 + VDB12 | V27 + VDB15 | V24-2 + VDB24 | V24-2 + (2)VDB15 | V36 + VDB24 | (2)V24-2 + (1)VDB24 | (2)VSB36 + (1)VDB24 |
| VSBDL30* | VSBDL36* | V30 + VDB12 | ^V27 + VDB21 | V30 + VDB24 | ^V42 + VDB18 | (2)V30 + (1)VDB12 | (2)VSBDL36 + (1)VDB24* |
| VSBDR30* | VSBDR36* | | V30 + VDB18 | | | (2)V27 + (1)VDB18 | (2)VSBDR36 + (1)VDB24* |
| | VSBOS36* | | V33 + VDB15 | | | (1)V36 + (2)VDB18 | (2)V30 + (2)VDB18 |
| | V33 + F396 | | V36 + VDB12 | | | (2)VSBDL36* | (2)V27 + (2)VDB21 |
| | | | | | | (2)VSBDR36* | (2)V33 + (2)VDB15 |
| | | | | | | VSBDR36 + VSBDL36* | (2)VSB42 + (1)VDB12 |

*Premier Series Only

^Builder Series Only

Note: VB12, VB15 or VB18 can be substituted in place of same size VDB

Finishing touches such as knee drawers, bunfeet and turned posts, enhance the design and add value!

