

Angled

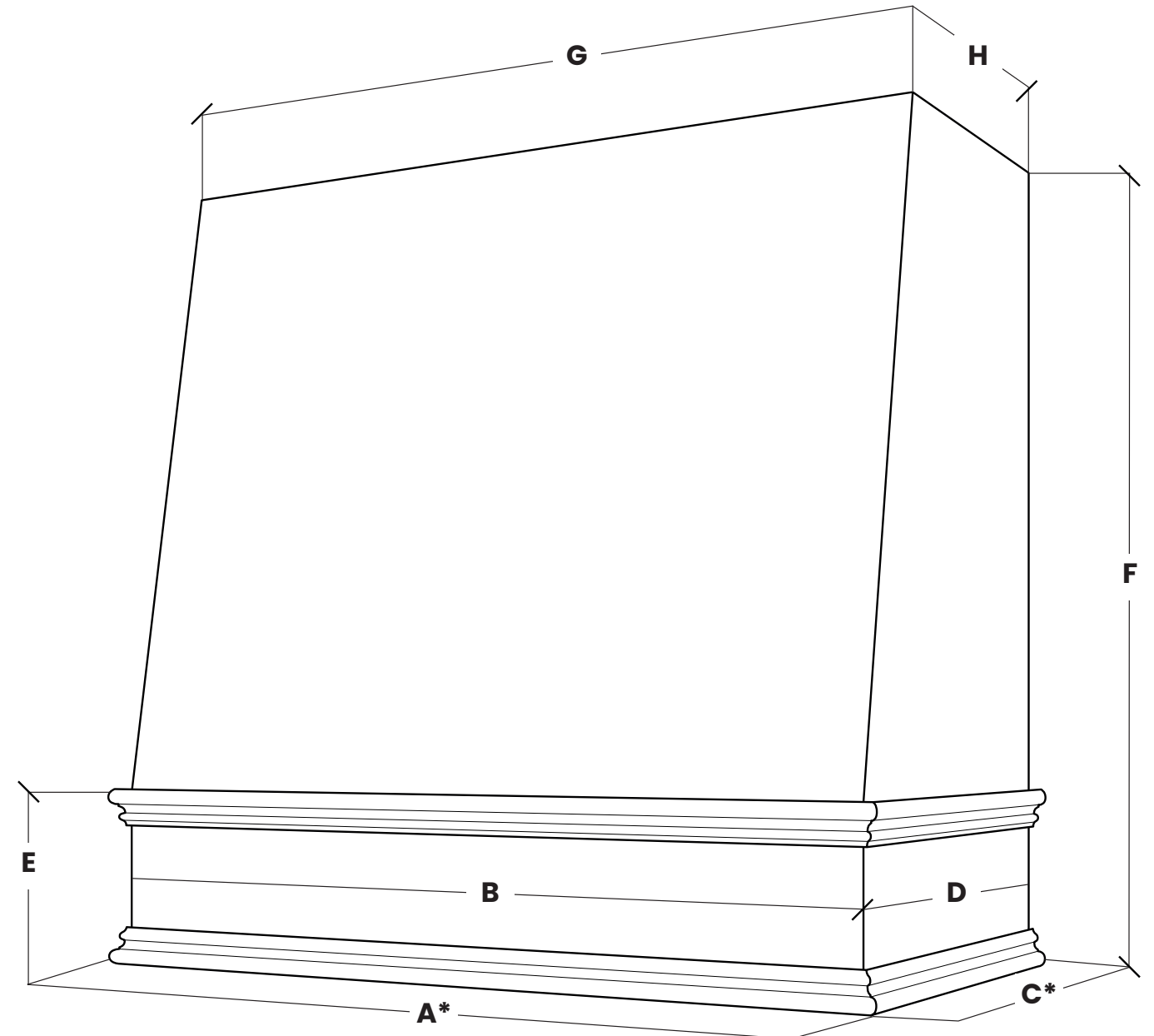
Model	B	D	E	F	G	H
3036	30	19.5	8.25	36	30	14.5
3636	36	19.5	8.25	36	36	14.5
4236	42	19.5	8.25	36	42	14.5
4836	48	19.5	8.25	36	48	14.5
3048	30	19.5	8.25	48	30	12.25
3648	36	19.5	8.25	48	36	12.25
4248	42	19.5	8.25	48	42	12.25
4848	48	19.5	8.25	48	48	12.25

*Example: Angled with Classic Trim shown for 3036 would be 31.5

All dimensions are in inches

A*Classic & Block Trim	A*Flat Trim
B + 1.5	B + .5

C*Classic & Block Trim	C*Flat Trim
D + .5	D + .25



Angled *with Strapping*

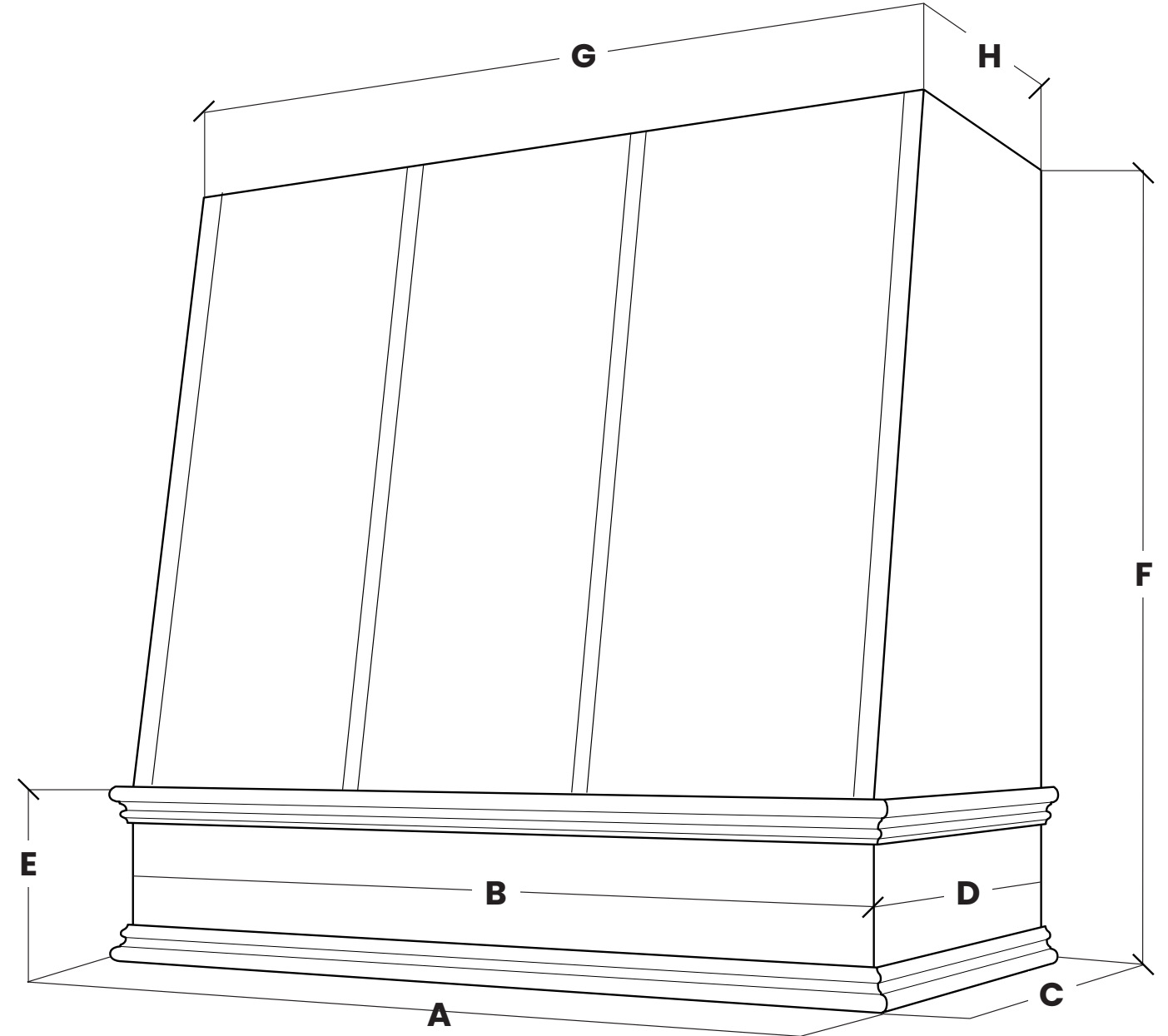
Model	B	D	E	F	G	H
3036	30	19.5	8.25	36	30	14.5
3636	36	19.5	8.25	36	36	14.5
4236	42	19.5	8.25	36	42	14.5
4836	48	19.5	8.25	36	48	14.5
3048	30	19.5	8.25	48	30	12.25
3648	36	19.5	8.25	48	36	12.25
4248	42	19.5	8.25	48	42	12.25
4848	48	19.5	8.25	48	48	12.25

*Example: Angled with Classic Trim shown for 3036 would be 31.5

All dimensions are in inches

A*Classic & Block Trim	A*Flat Trim
B + 1.5	B + .5

C*Classic & Block Trim	C*Flat Trim
D + .5	D + .25

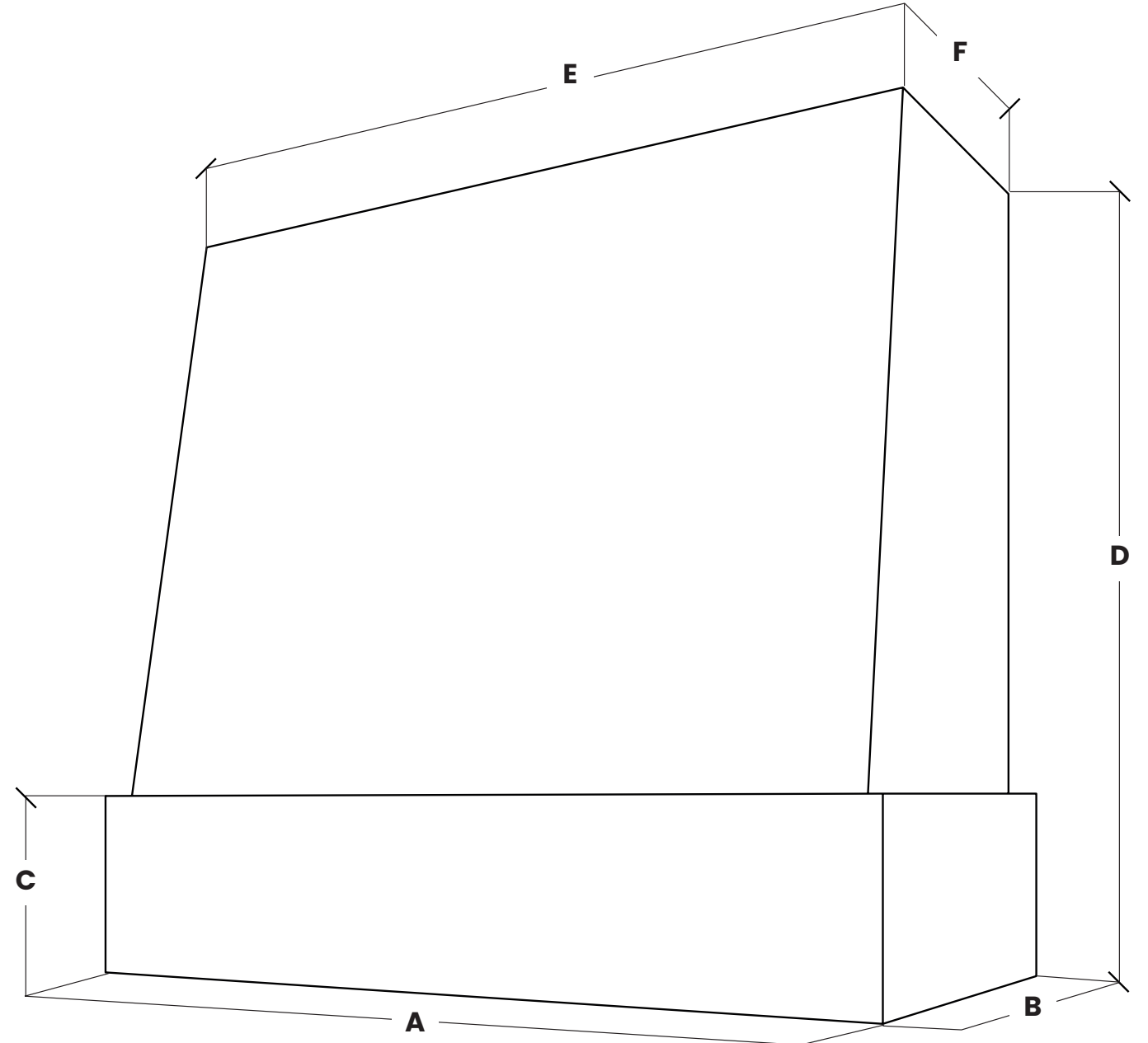


Angled

with Walnut Band

Model	A	B	C	D	E	F
3036	31.5	20.25	8.25	36	30	14.5
3636	37.5	20.25	8.25	36	36	14.5
4236	43.5	20.25	8.25	36	42	14.5
4836	49.5	20.25	8.25	36	48	14.5
3048	31.5	20.25	8.25	48	30	12.25
3648	37.5	20.25	8.25	48	36	12.25
4248	43.5	20.25	8.25	48	42	12.25
4848	49.5	20.25	8.25	48	48	12.25

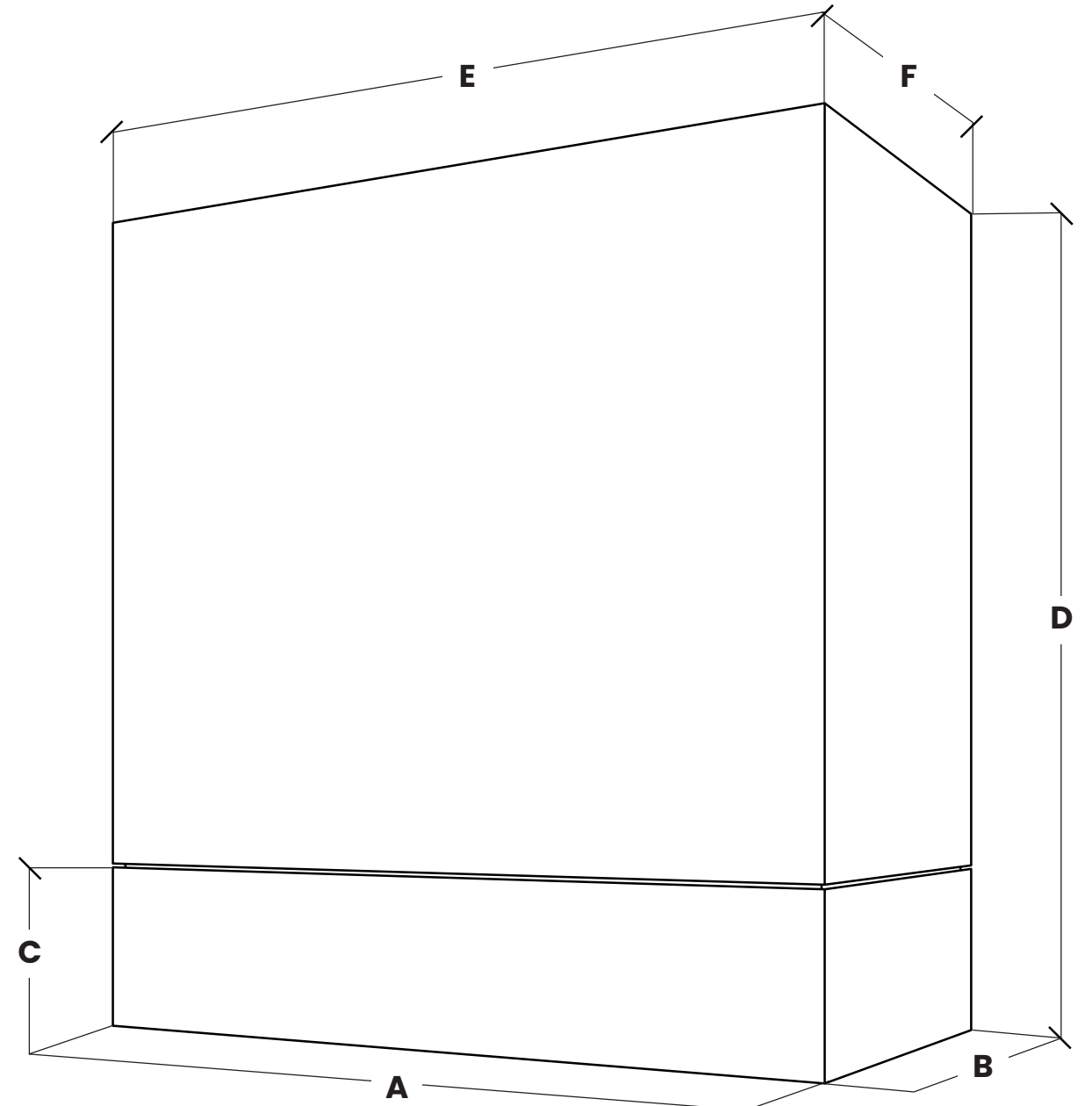
All dimensions are in inches



Box Straight

Model	A	B	C	D	E	F
3036	30	19.5	8.25	36	30	19.5
3636	36	19.5	8.25	36	36	19.5
4236	42	19.5	8.25	36	42	19.5
4836	48	19.5	8.25	36	48	19.5
3048	30	19.5	8.25	48	30	19.5
3648	36	19.5	8.25	48	36	19.5
4248	42	19.5	8.25	48	42	19.5
4848	48	19.5	8.25	48	48	19.5

All dimensions are in inches

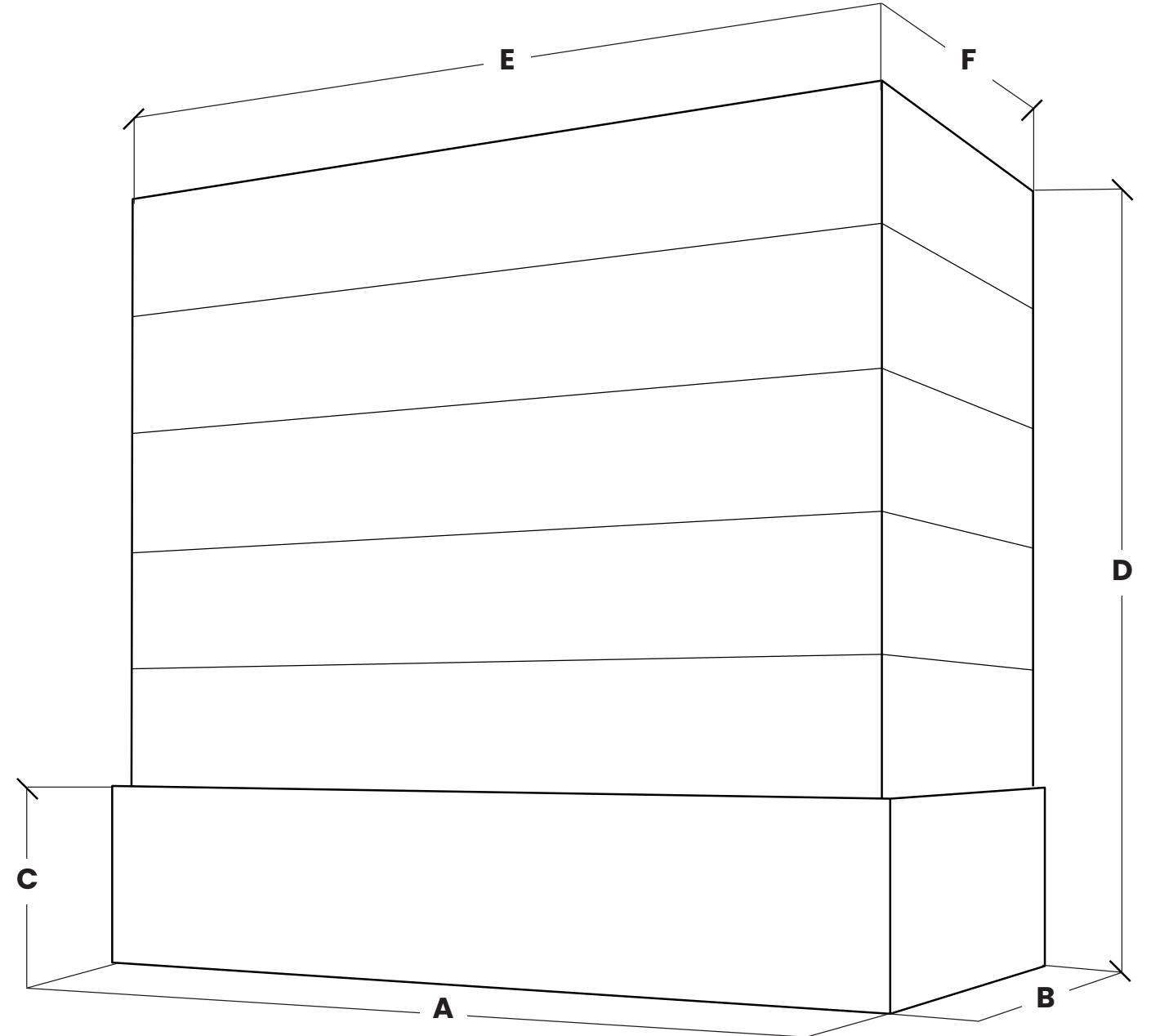


Boxed Shiplap

with Walnut Band

Model	A	B	C	D	E	F
3036	31.5	20.25	8.25	36	30	19.5
3636	37.5	20.25	8.25	36	36	19.5
4236	43.5	20.25	8.25	36	42	19.5
4836	49.5	20.25	8.25	36	48	19.5
3048	31.5	20.25	8.25	48	30	19.5
3648	37.5	20.25	8.25	48	36	19.5
4248	43.5	20.25	8.25	48	42	19.5
4848	49.5	20.25	8.25	48	48	19.5

All dimensions are in inches



Curved

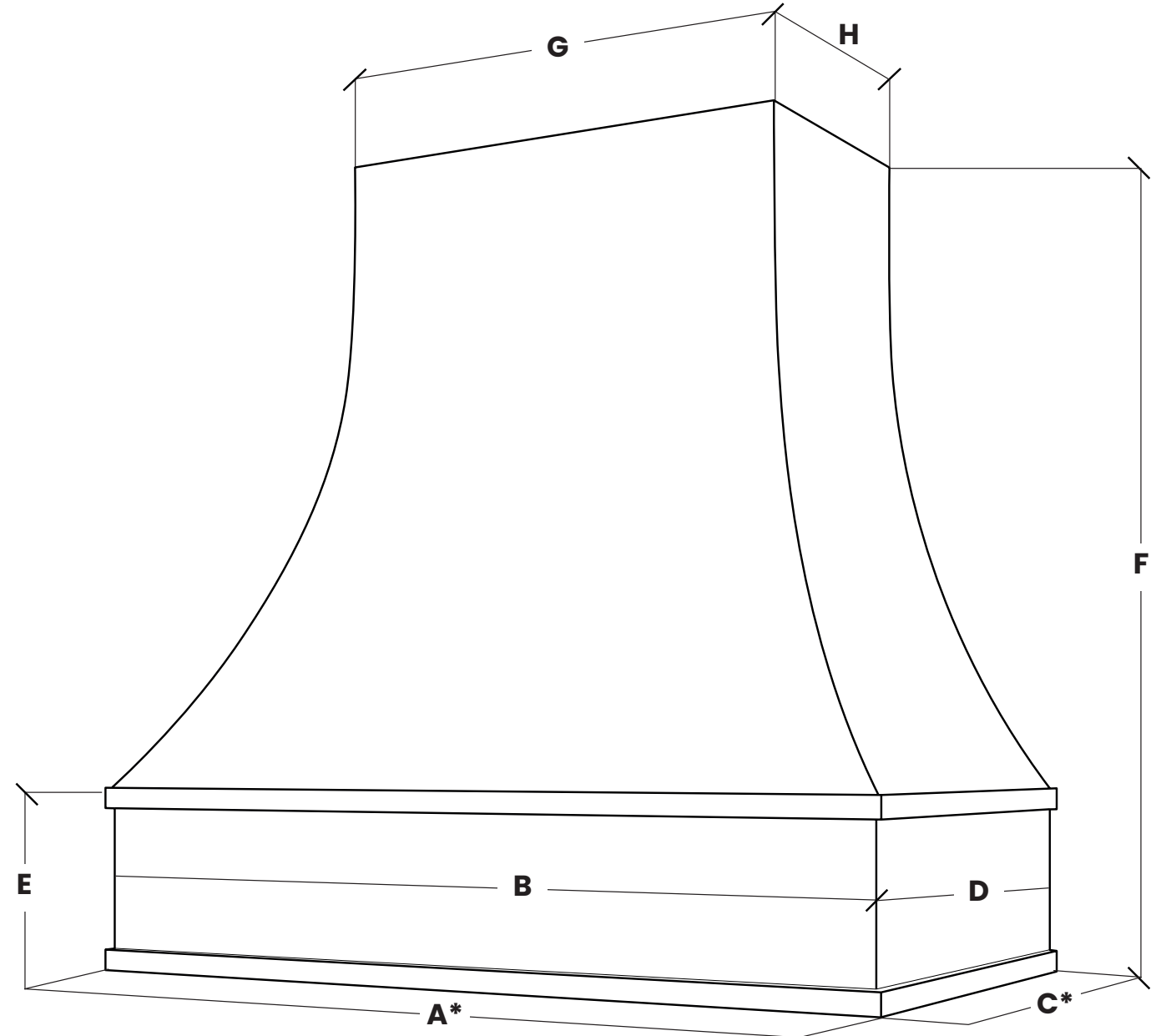
Model	B	D	E	F	G	H
3036	30	19.5	8.25	36	15	12
3636	36	19.5	8.25	36	21	12
4236	42	19.5	8.25	36	27	12
4836	48	19.5	8.25	36	33	12
3048	30	19.5	8.25	48	15	12
3648	36	19.5	8.25	48	21	12
4248	42	19.5	8.25	48	27	12
4848	48	19.5	8.25	48	33	12

*Example: Curved with Block Trim shown for 3036 would be 31.5

All dimensions are in inches

A*Classic & Block Trim	A*Flat Trim
B + 1.5	B + .5

C*Classic & Block Trim	C*Flat Trim
D + .5	D + .25



Curved

with Strapping

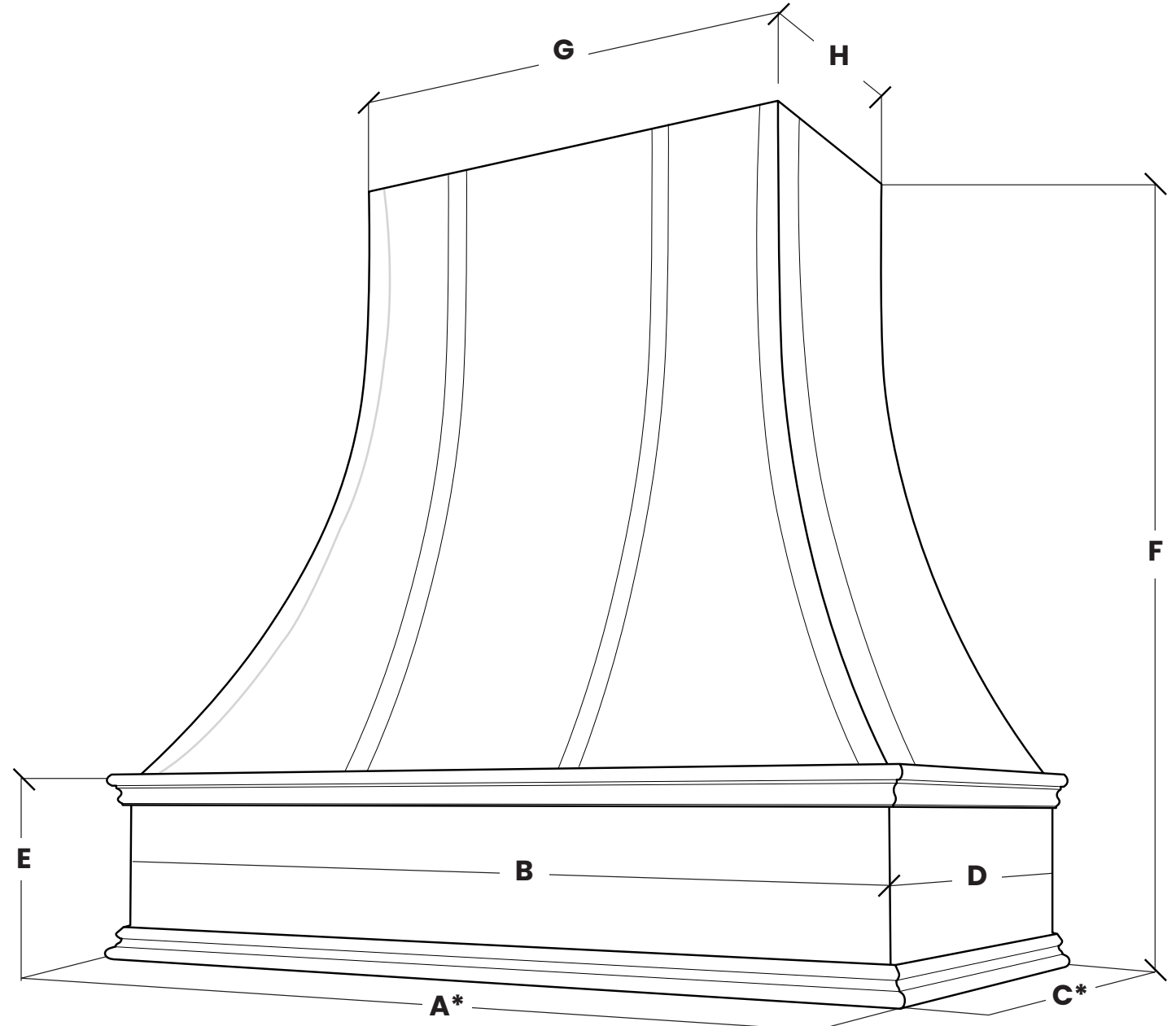
Model	B	D	E	F	G	H
3036	30	19.5	8.25	36	15	12.25
3636	36	19.5	8.25	36	21	12.25
4236	42	19.5	8.25	36	27	12.25
4836	48	19.5	8.25	36	33	12.25
3048	30	19.5	8.25	48	15	12.25
3648	36	19.5	8.25	48	21	12.25
4248	42	19.5	8.25	48	27	12.25
4848	48	19.5	8.25	48	33	12.25

*Example: Curved with Classic Trim shown for 3036 would be 31.5

All dimensions are in inches



A*Classic & Block Trim	A*Flat Trim	C*Classic & Block Trim	C*Flat Trim
B + 1.5	B + .5	D + .5	D + .25

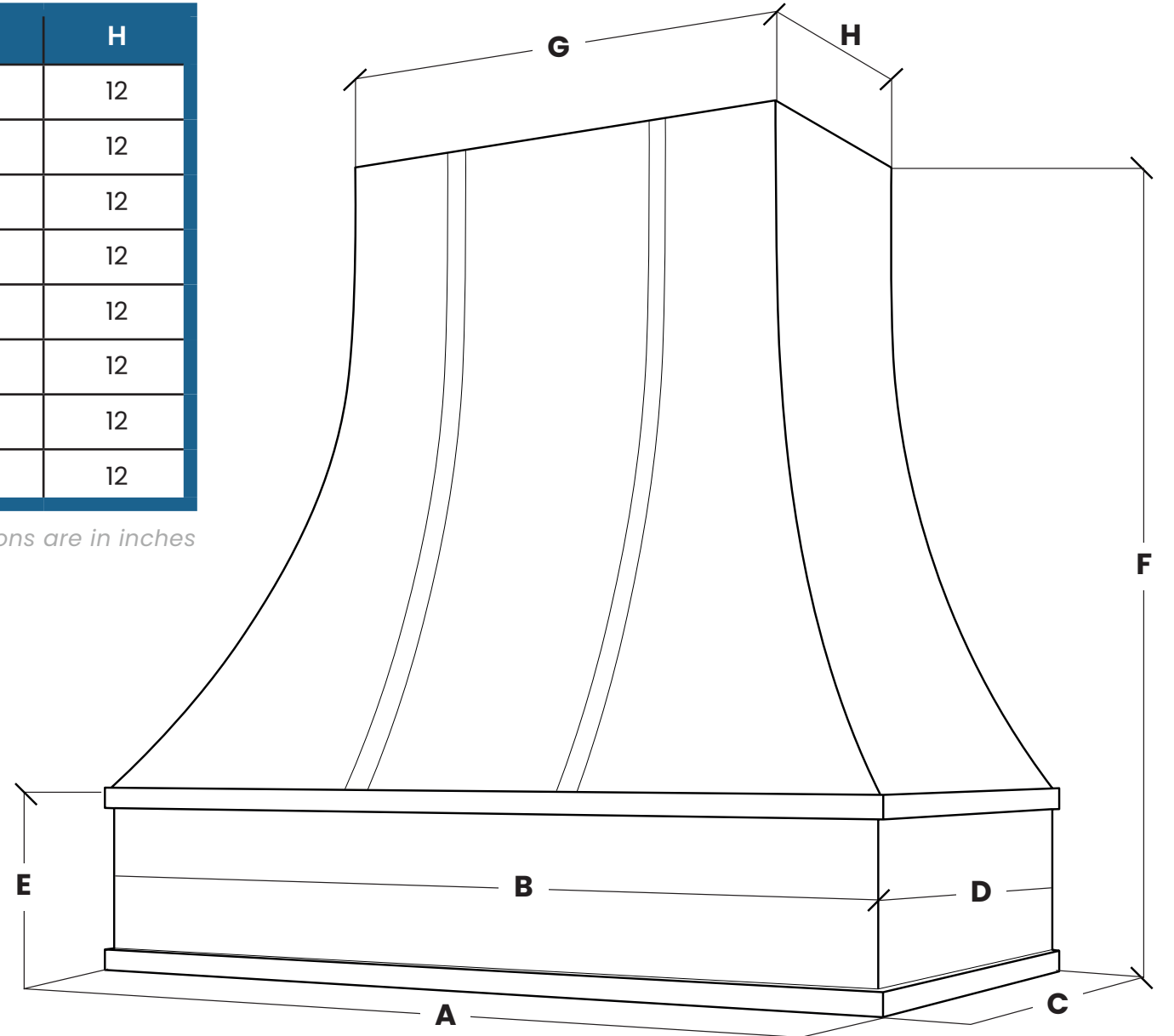


Curved

with Metal Strapping

Model	A	B	C	D	E	F	G	H
3036	30.625	30	19.8125	19.5	8.25	36	15	12
3636	36.625	36	19.8125	19.5	8.25	36	21	12
4236	42.625	42	19.8125	19.5	8.25	36	27	12
4836	48.625	48	19.8125	19.5	8.25	36	33	12
3048	30.625	30	19.8125	19.5	8.25	48	15	12
3648	36.625	36	19.8125	19.5	8.25	48	21	12
4248	42.625	42	19.8125	19.5	8.25	48	27	12
4848	48.625	48	19.8125	19.5	8.25	48	33	12

All dimensions are in inches



Sloped

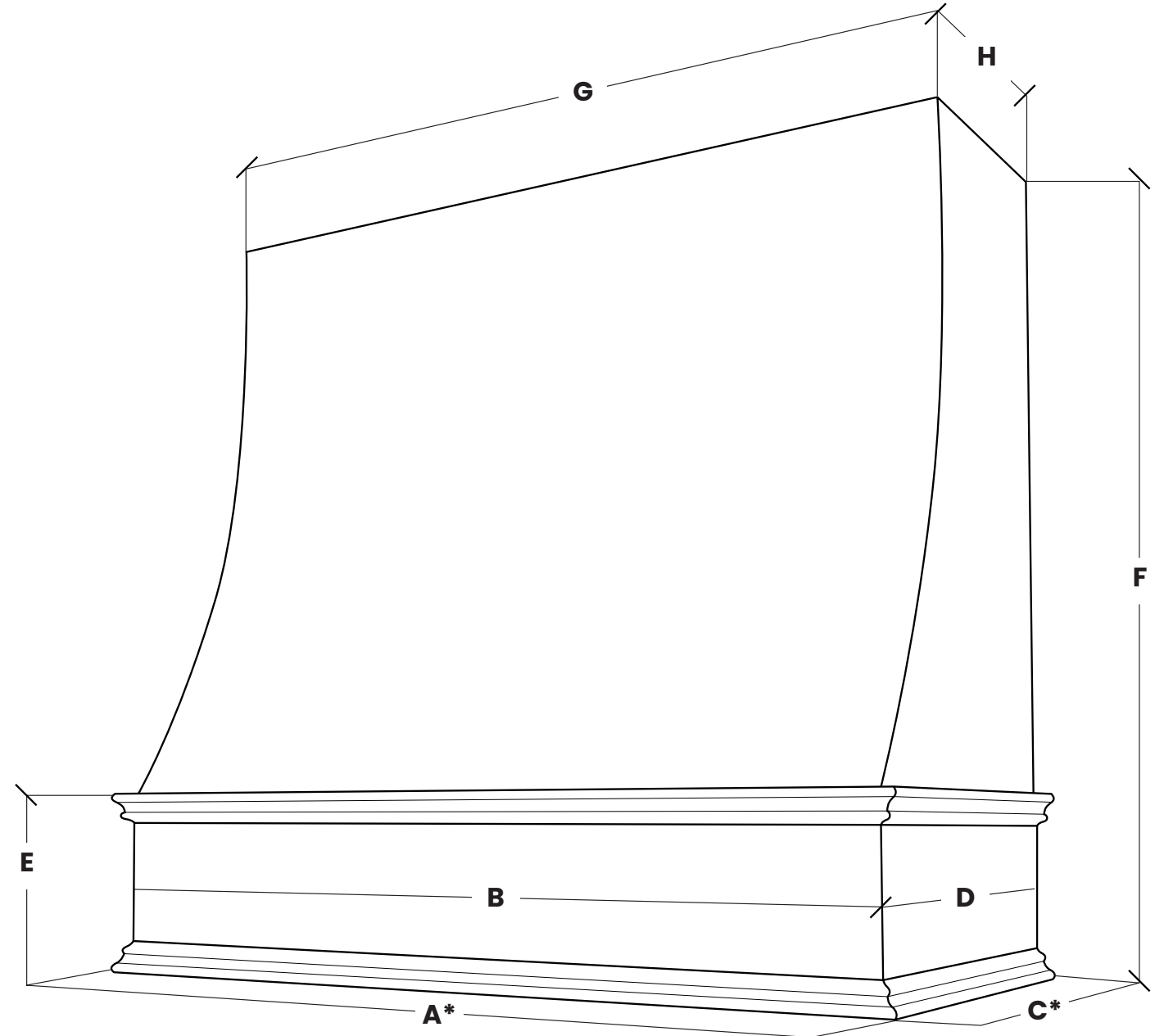
Model	B	D	E	F	G	H
3036	30	19.5	8.25	36	30	12.25
3636	36	19.5	8.25	36	36	12.25
4236	42	19.5	8.25	36	42	12.25
4836	48	19.5	8.25	36	48	12.25
3048	30	19.5	8.25	48	30	12.25
3648	36	19.5	8.25	48	36	12.25
4248	42	19.5	8.25	48	42	12.25
4848	48	19.5	8.25	48	48	12.25

*Example: Sloped with Classic Trim shown for 3036 would be 31.25

All dimensions are in inches

A*Classic & Block Trim	A*Flat Trim
$B + 1.5$	$B + .5$

C*Classic & Block Trim	C*Flat Trim
$D + .5$	$D + .25$



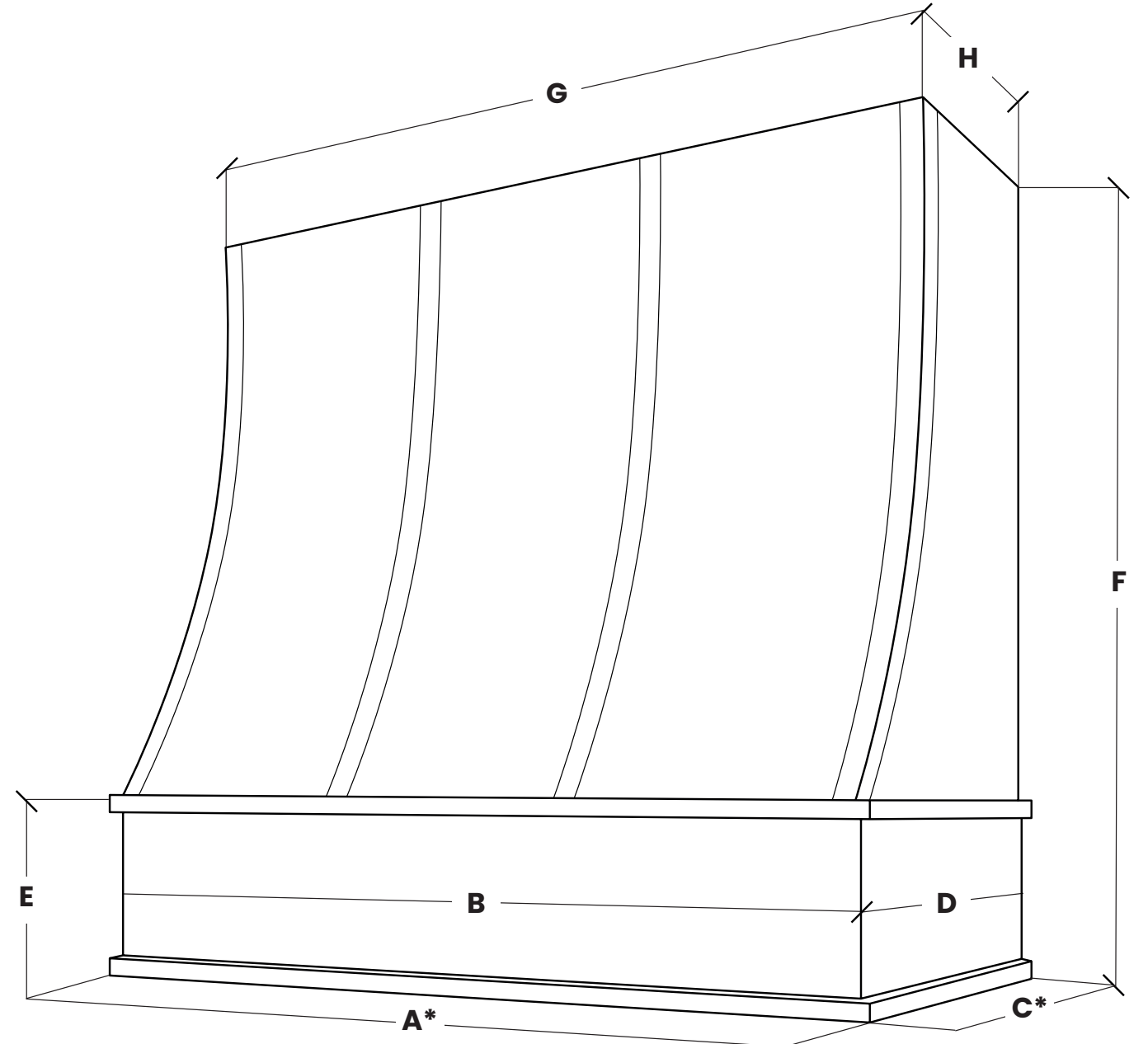
Sloped with Strapping

Model	B	D	E	F	G	H
3036	30	19.5	8.25	36	30	12.25
3636	36	19.5	8.25	36	36	12.25
4236	42	19.5	8.25	36	42	12.25
4836	48	19.5	8.25	36	48	12.25
3048	30	19.5	8.25	48	30	12.25
3648	36	19.5	8.25	48	36	12.25
4248	42	19.5	8.25	48	42	12.25
4848	48	19.5	8.25	48	48	12.25

*Example: Sloped with Flat Trim shown for 3036 would be 30.25

All dimensions are in inches

A*Classic & Block Trim	A*Flat Trim	C*Classic & Block Trim	C*Flat Trim
B + 1.5	B + .5	D + .5	D + .25



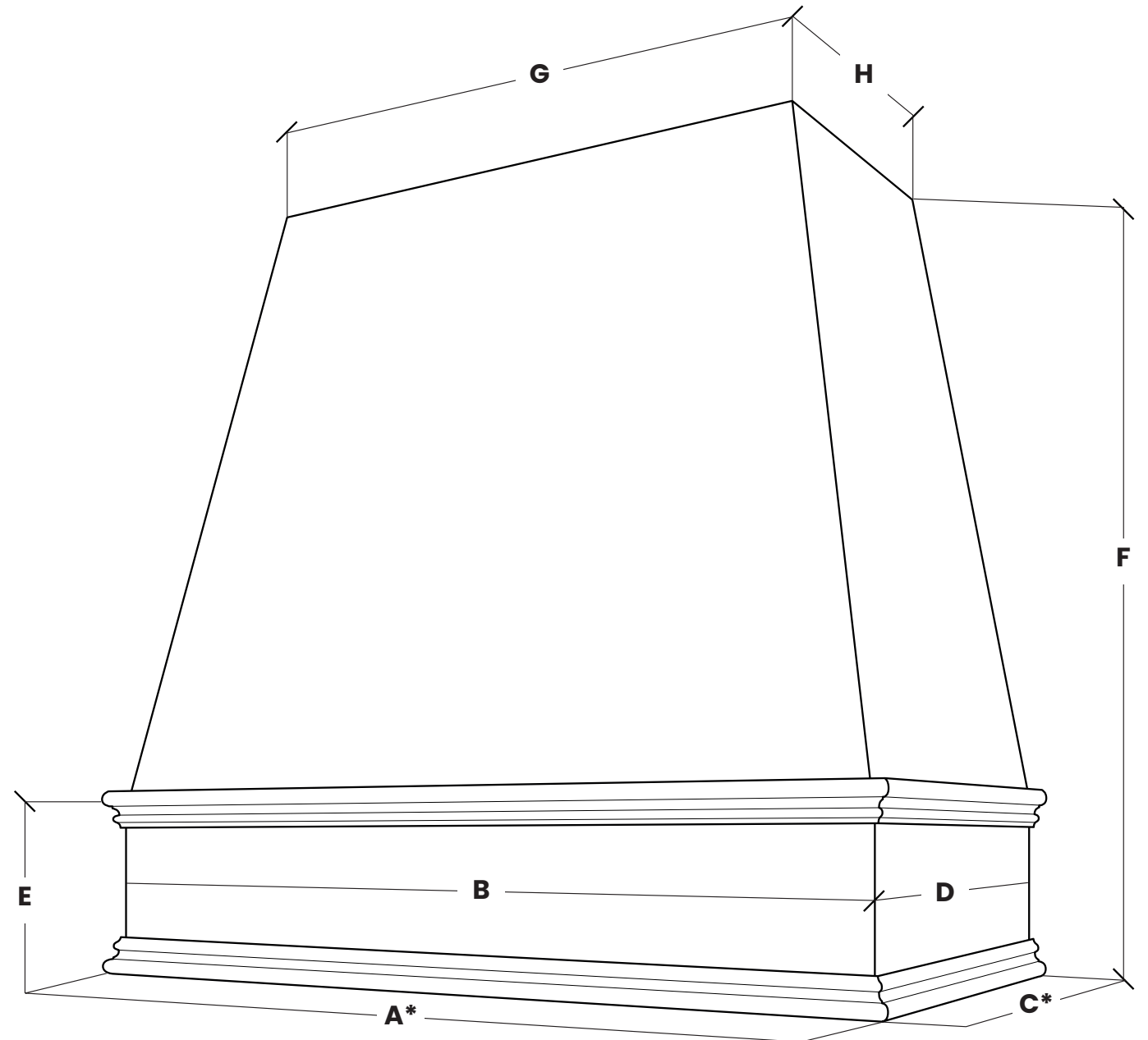
Tapered

Model	B	D	E	F	G	H
3036	30	19.5	8.25	36	20	14.5
3636	36	19.5	8.25	36	26	14.5
4236	42	19.5	8.25	36	32	14.5
4836	48	19.5	8.25	36	38	14.5
3048	30	19.5	8.25	48	15.75	12.25
3648	36	19.5	8.25	48	21.75	12.25
4248	42	19.5	8.25	48	27.75	12.25
4848	48	19.5	8.25	48	33.75	12.25

*Example: Tapered with Classic Trim shown for 3036 would be 31.5

All dimensions are in inches

A*Classic & Block Trim	A*Flat Trim	C*Classic & Block Trim	C*Flat Trim
B + 1.5	B + .5	D + .5	D + .25



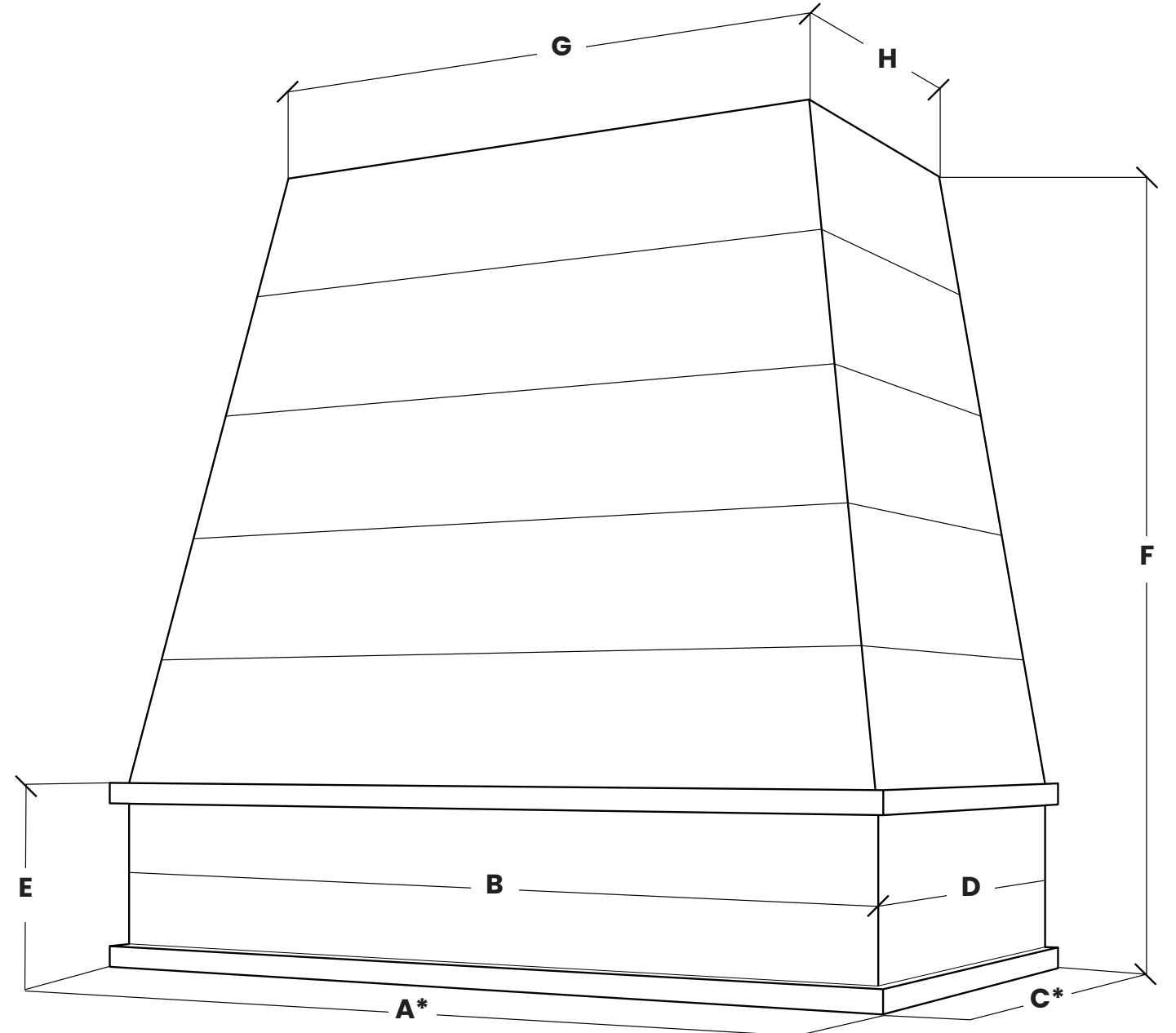
Tapered with Shiplap

Model	B	D	E	F	G	H
3036	30	19.5	8.25	36	20	14.5
3636	36	19.5	8.25	36	26	14.5
4236	42	19.5	8.25	36	32	14.5
4836	48	19.5	8.25	36	38	14.5
3048	30	19.5	8.25	48	15.75	12.25
3648	36	19.5	8.25	48	21.75	12.25
4248	42	19.5	8.25	48	27.75	12.25
4848	48	19.5	8.25	48	33.75	12.25

*Example: Tapered with Block Trim shown for 3036 would be 31.5

All dimensions are in inches

A*Classic & Block Trim	A*Flat Trim	C*Classic & Block Trim	C*Flat Trim
B + 1.5	B + .5	D + .5	D + .25



Tapered

with Strapping

Model	B	D	E	F	G	H
3036	30	19.5	8.25	36	20	14.5
3636	36	19.5	8.25	36	26	14.5
4236	42	19.5	8.25	36	32	14.5
4836	48	19.5	8.25	36	38	14.5
3048	30	19.5	8.25	48	15.75	12.25
3648	36	19.5	8.25	48	21.75	12.25
4248	42	19.5	8.25	48	27.75	12.25
4848	48	19.5	8.25	48	33.75	12.25

*Example: Tapered with Classic Trim shown for 3036 would be 31.5

All dimensions are in inches

A*Classic & Block Trim	A*Flat Trim
B + 1.5	B + .5

C*Classic & Block Trim	C*Flat Trim
D + .5	D + .25

